

## 187CTRW3.5 Straight Angle Rectangular Waveguide to Coaxial Adapter 3.95 – 5.85 GHz WR187 to 3.5mm Female

### Attributes

#### Electrical Specification

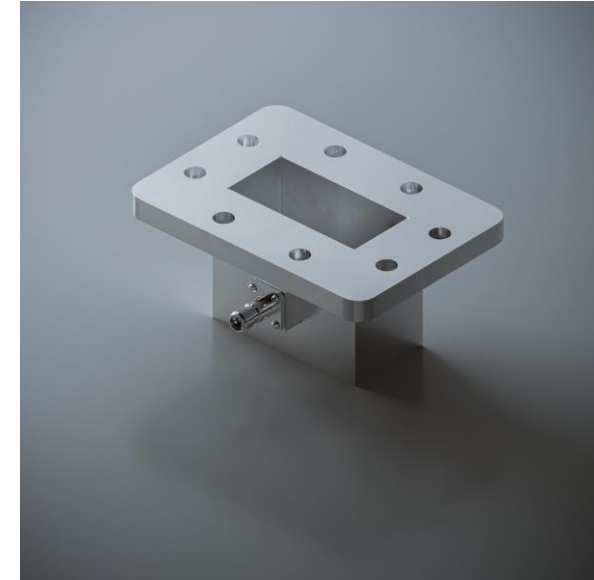
Adapter Type	Right Angel
Adapter Grade	Standard
Frequency Band	Ku
Waveguide Type	Rectangular
Waveguide Size EI WR	WR62
Min. Frequency (GHz)	3.95
Max. Frequency (GHz)	5.85
VSWR Max	1.18
VSWR Min	1.0025
Impedance ( $\Omega$ )	50
Max. Insertion Loss (dB)	0.25
Min. Insertion Loss (dB)	0.22

#### Interface

Flange Style	Square
Connector	3.5 mm
Connector Type	Female

#### Mechanical Specification

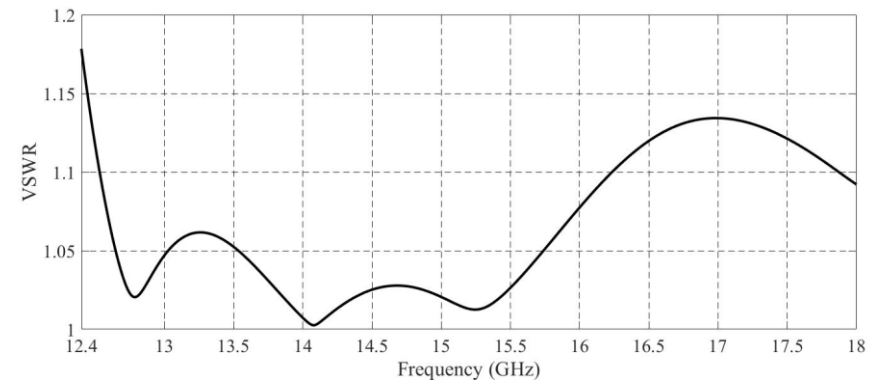
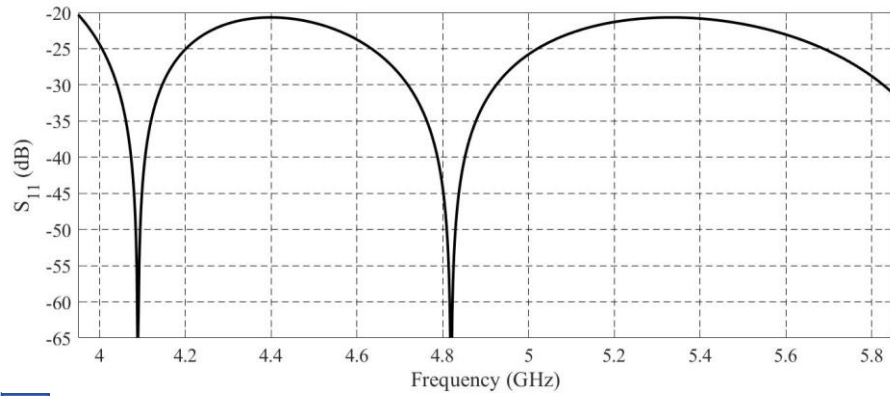
Body Material	Al
Finishing	Gray Paint
Operating Temp Low( $^{\circ}$ c)	-50
Operating Temp High( $^{\circ}$ c)	80



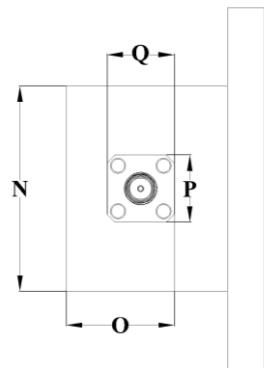
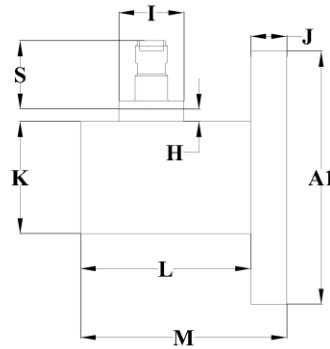
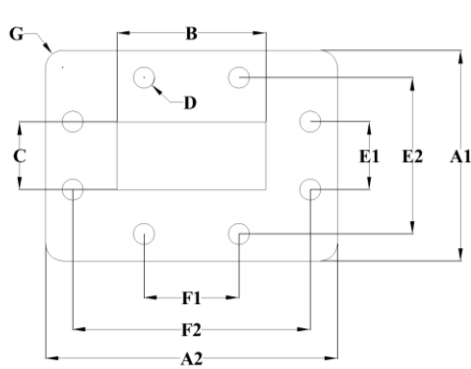
#### Overview

**Right angle rectangular waveguide to coaxial adapter 187CTRW3.5, operating from 3.95 to 5.85 GHz with a 0.25dB insertion loss and low VSWR 1.25:1. 187CTRW3.5 can be an efficient transition between the rectangular waveguide WR187 and coaxial 3.5 female connector. It can handle 50W continuously and 3KW peak power. The flange of waveguide WR187 is FDP48 (UDR48). These waveguide to coaxial adapters is consistent with the CACIRA standard of high quality and are indispensable components in any microwave project, such as microwave testing, and systems.**

## Results (Back to Back Connection)



## Drawing



Parameter	Inch (mm)	Parameter	Inch (mm)
A1	2.5 (63.5)	M	1.693(43)
A2	3.5 (88.9)	N	2.108(53.549)
B	1.872 (47.5488)	O	0.5(12.7)
C	0.872 (22.1488)	P	0.5 (12.7)
D	0.25(6.35)	S	0.524(13.319)
E1	0.875 (22.22)		
E2	1.828 (46.44)		
F1	1.125 (28.58)		
F2	2.828(71.82)		
G	0.236(6)		
H	0.256(6.5)		
I	0.5 (12.7)		
J	0.276(7)		
K	1.108 (28.149)		
L	1.417 (36)		